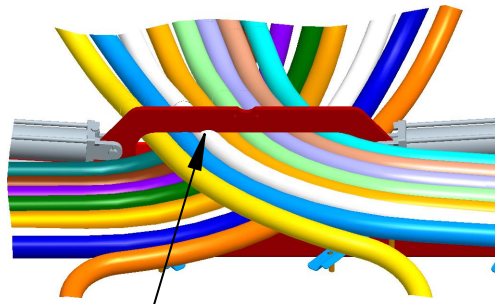
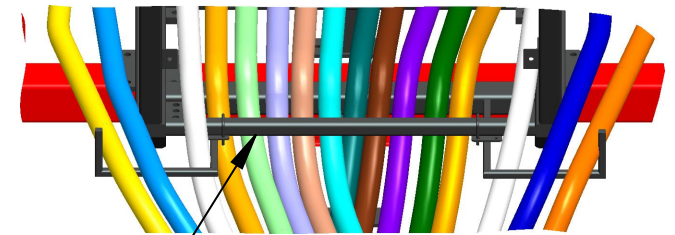


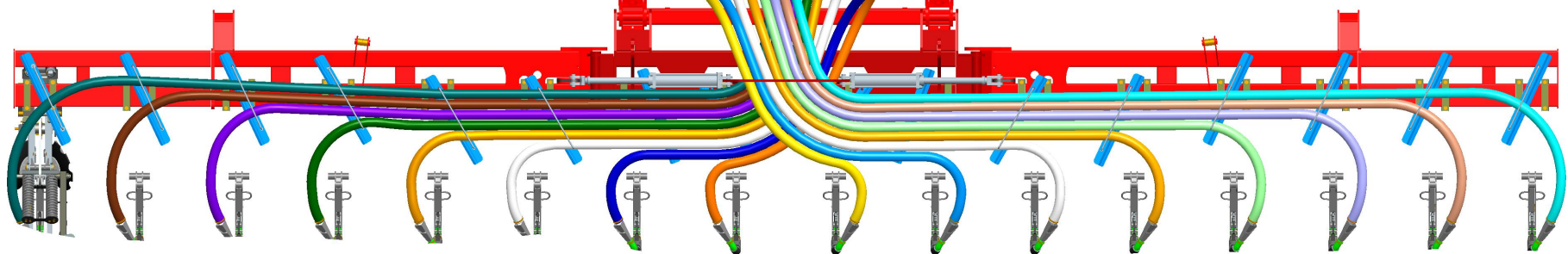
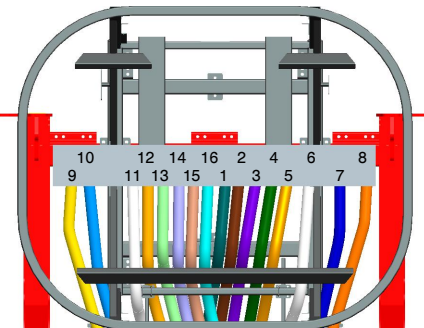
16- Row Gladiator Hose Routing For 6 Ton Montag Dry Fertilizer Skid



Route hoses under the center cylinder lug.

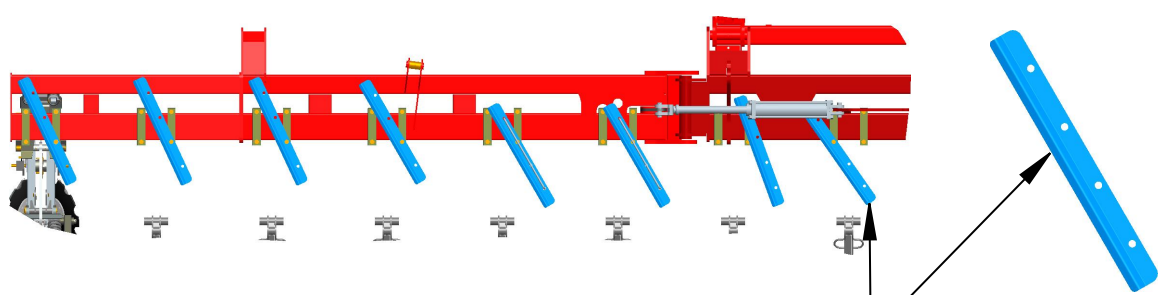


Center hoses will go under the back tube and over the second tube of Montag's skid.

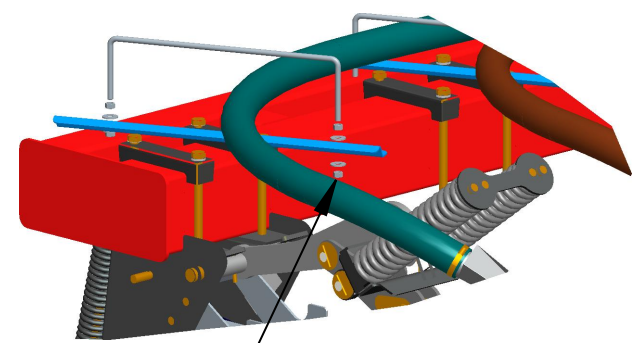


- | | | | | | | | | | | | | | | | |
|--------|---------|--------|--------|--------|--------|--------|--------|--------|--------|--------|--------|--------|--------|---------|--------|
| 1 | 2 | 3 | 4 | 5 | 6 | 7 | 8 | 9 | 10 | 11 | 12 | 13 | 14 | 15 | 16 |
| 28'-4" | 25'-10" | 23'-4" | 21'-1" | 19'-1" | 16'-5" | 14'-7" | 12'-5" | 12'-5" | 14'-7" | 16'-5" | 19'-1" | 21'-1" | 23'-4" | 25'-10" | 28'-4" |

Hose lengths



Assemble hose support straps to the cast clamp bolts so that the hoses can move forward when tripping over a rock. The center hose supports need to be extended farther back than the wings.



Use qty (4) 1/2" nuts and flat washers to mount U-bolts