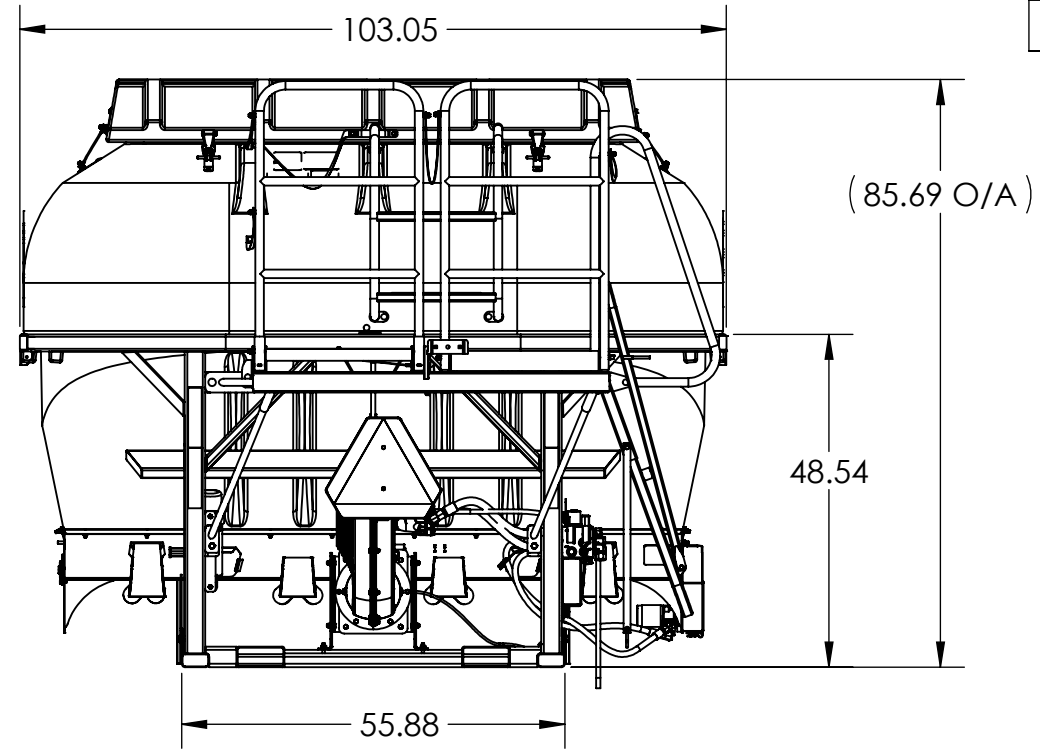
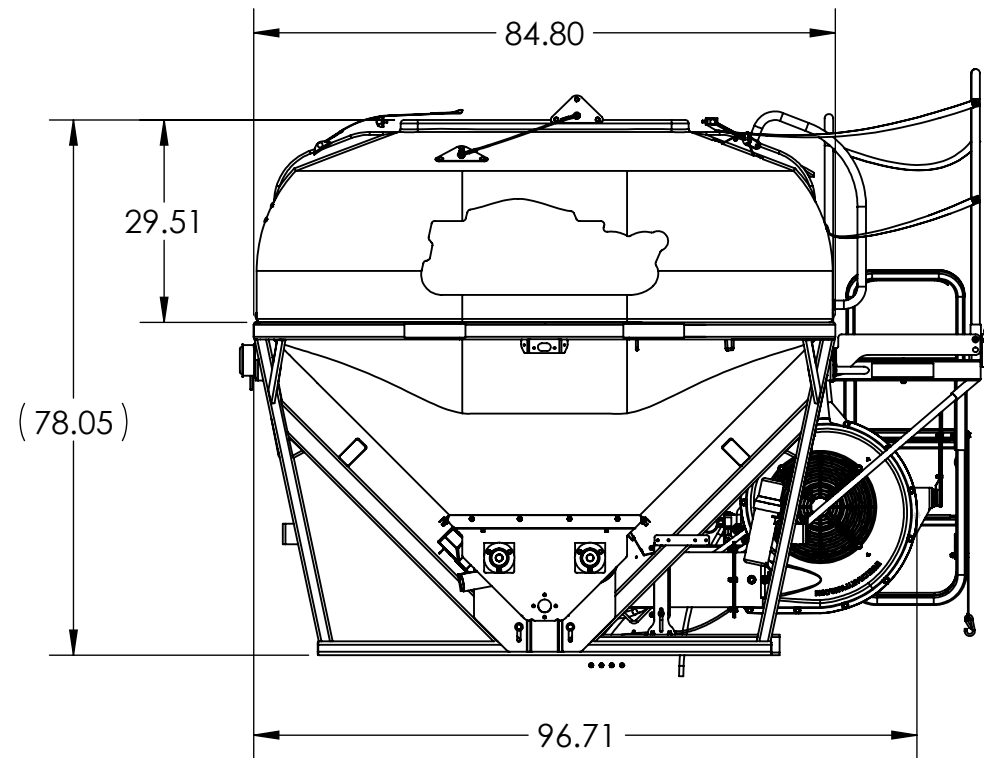
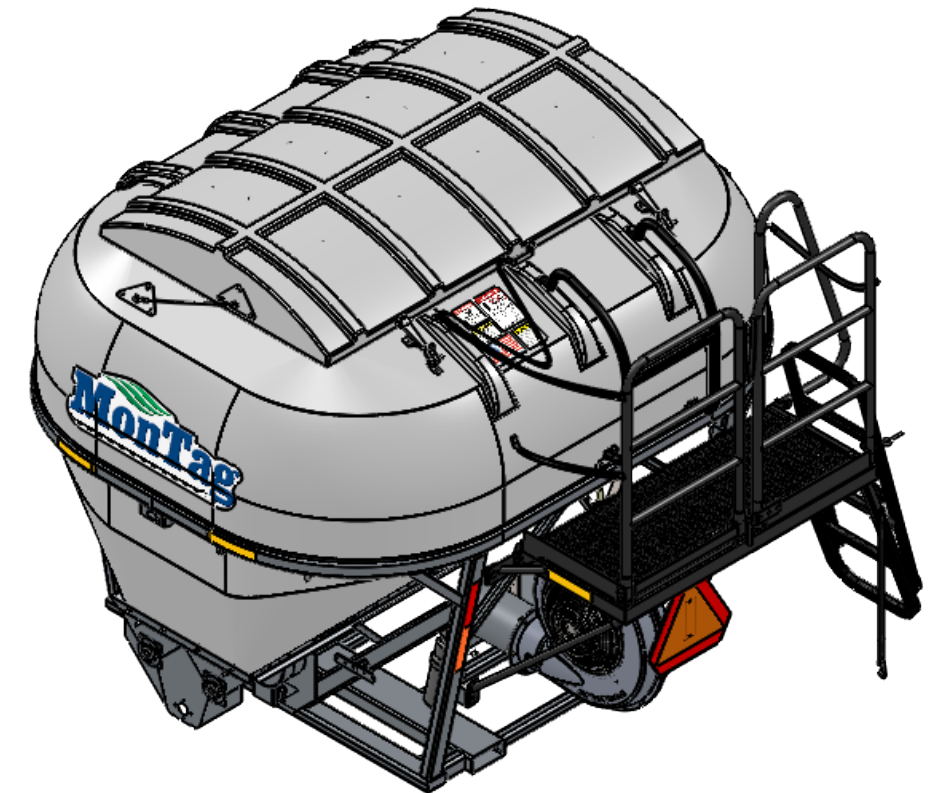
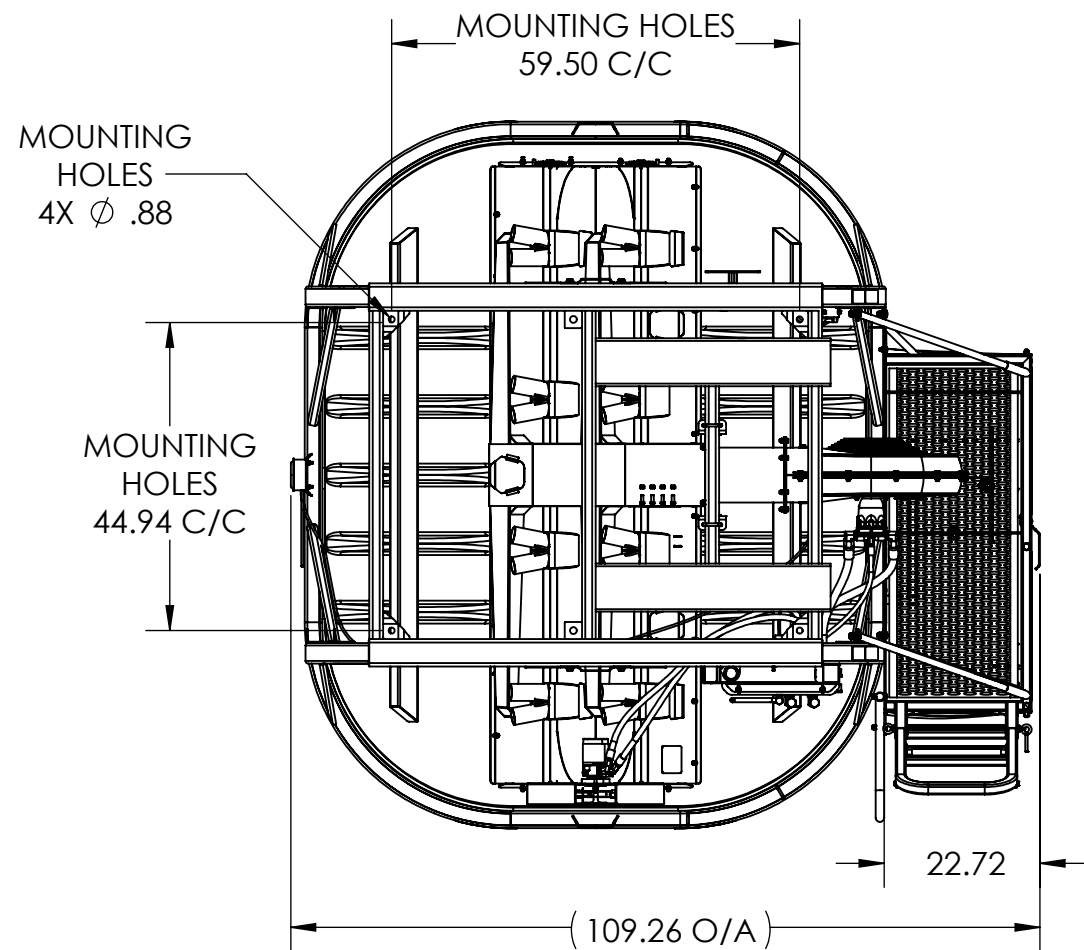


REVISIONS			
REV.	DESCRIPTION	DATE	APPROVAL
A	RELEASED FOR PRODUCTION	8/23/2022	IJM



6 TON



MONTAG MFG
3816 461st AVE,
Emmetsburg, IA 50536

P: 712-852-4572
F: 712-852-4574
www.montagmfg.com

DO NOT SCALE DRAWING
UNLESS OTHERWISE SPECIFIED:
DIMENSIONS ARE IN INCHES
1/X ± 1/32
.X ± .1
.XX ± .03
.XXX ± .010
ANGULAR ± 1°

CONFIDENTIAL: This drawing and design is proprietary and confidential to Montag Manufacturing, Inc.		
NAME	DATE	
DRAWN	SEC	08/23/22
APPROVED		

TITLE: **Gen 1 2022**

MATERIAL: N/A

COMMENTS:

SIZE	PART. NO.	REV
B	GEN 1 2022	A

SCALE: 1:28 WEIGHT: 2357.76 SHEET 2 OF 2