



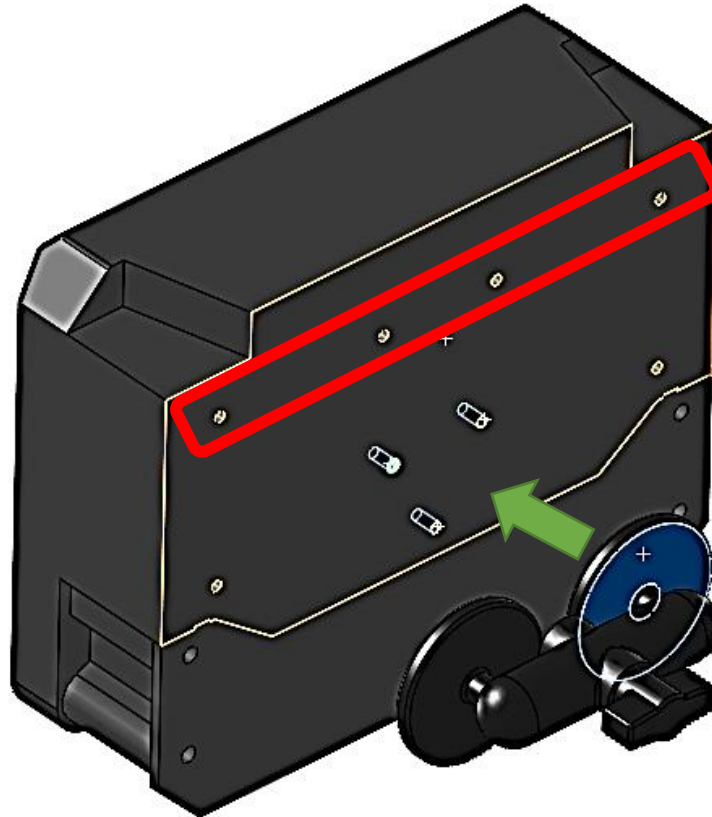
Point Cab Mount Installation Instructions

**Please refer to Point Quick Start Guide for
further instructions**

MONTAG 1 PRODUCT POINT INSTALL POINT DISPLAY CAB INSTALLATION

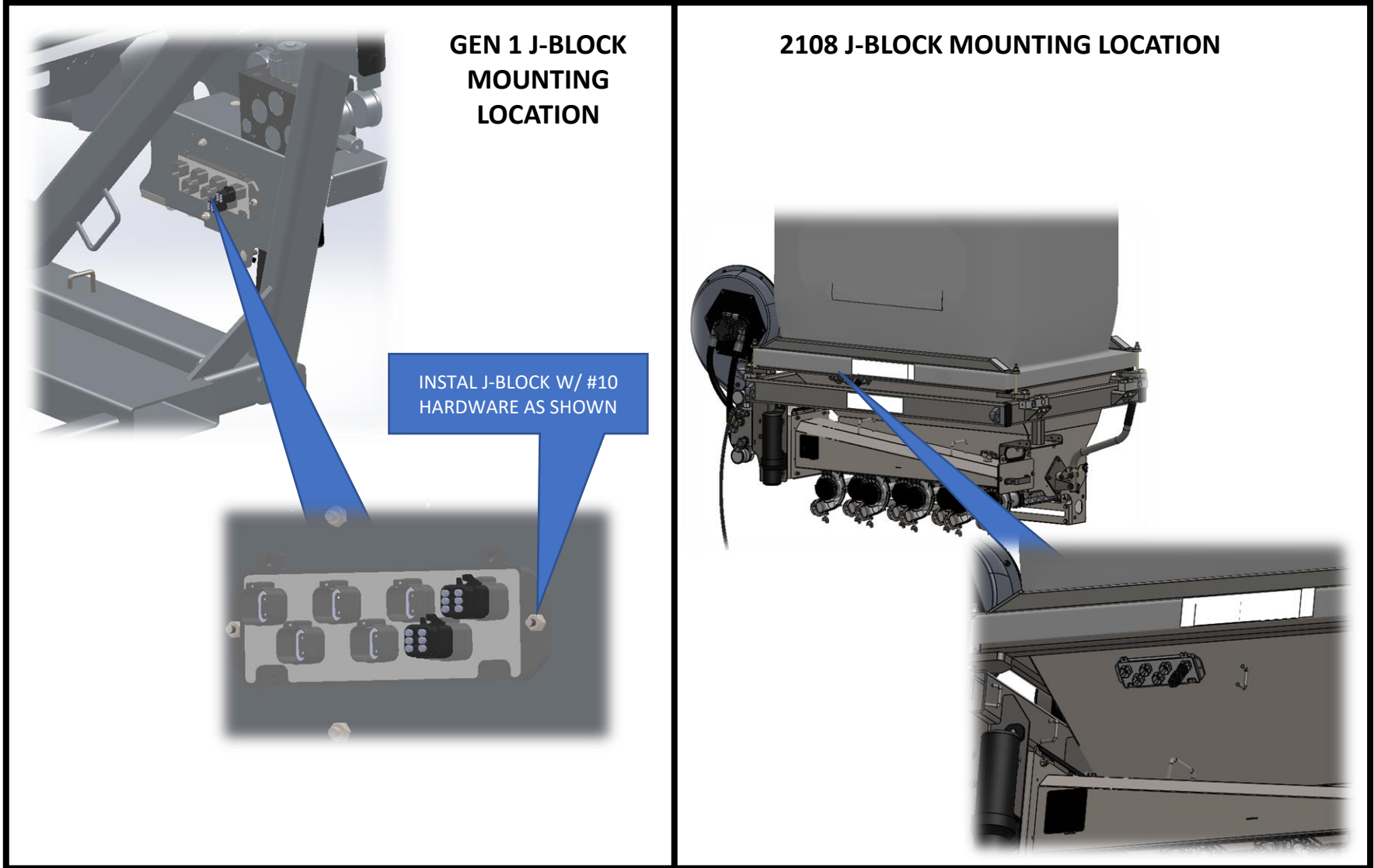
REMOVE SCREWS
FROM UPPER "POINT"
RAIL MOUNT AND
INSTALL RAM MOUNT
AS SHOWN W/ 3 OF
THE 4 SCREWS

MOUNT OTHER END
OF RAM INSIDE THE
TRACTOR



MONTAG 1 PRODUCT POINT INSTALL

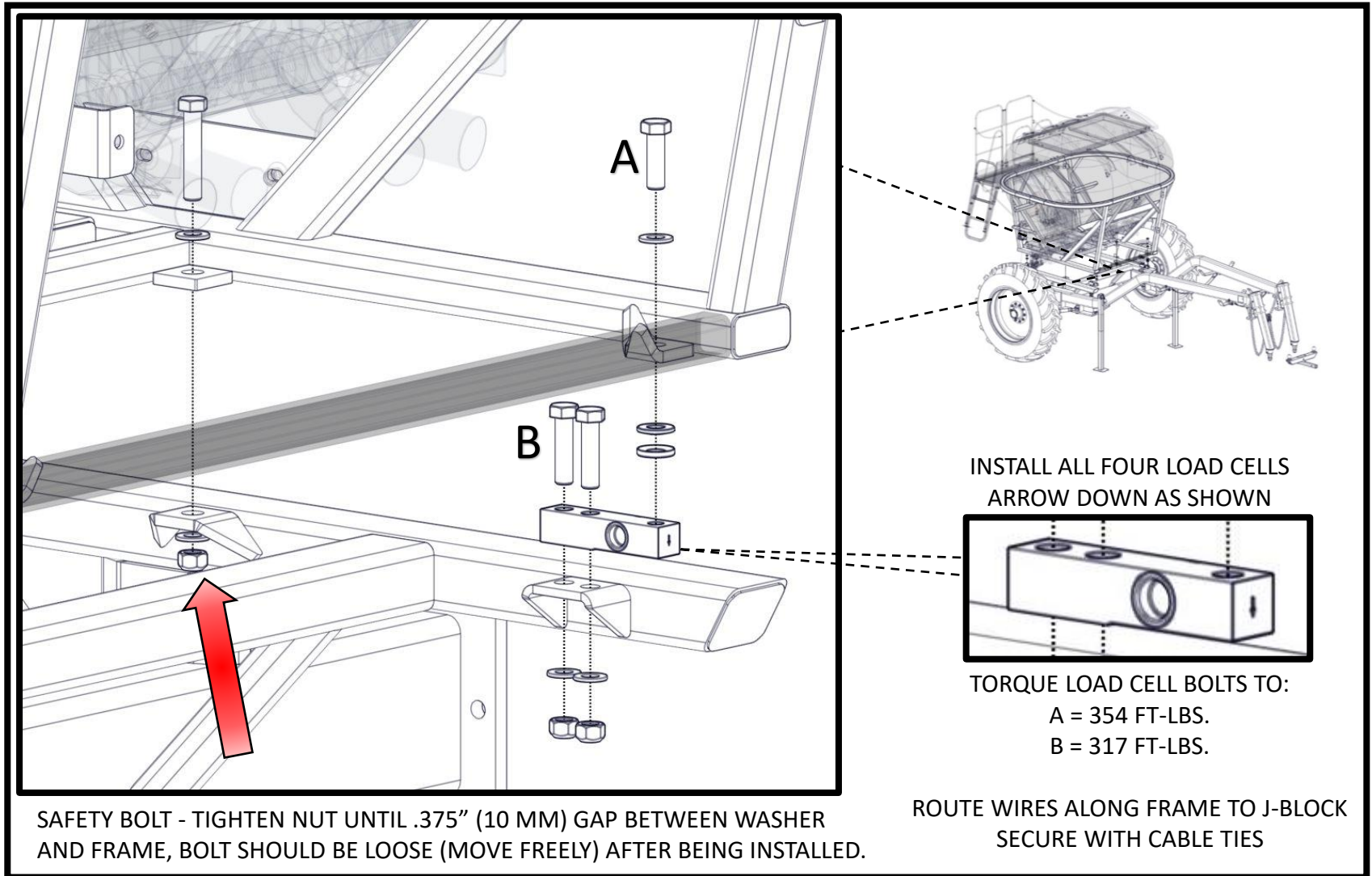
J-BLOCK MOUNTING



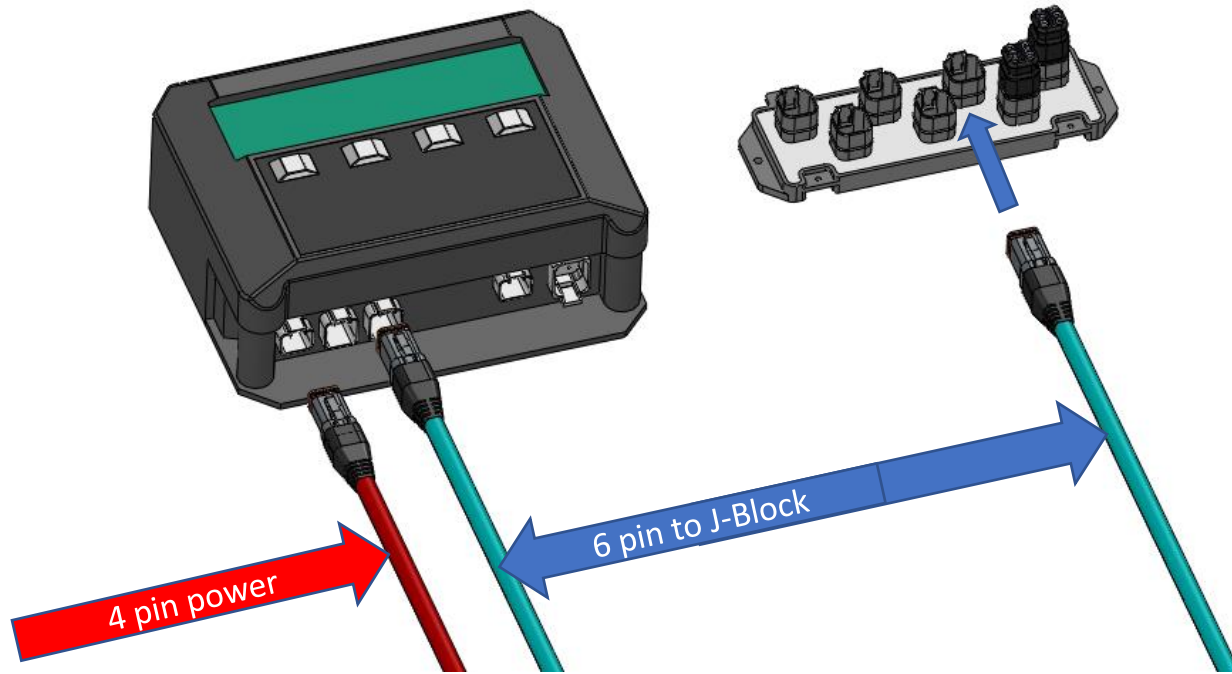


MONTAG 1 PRODUCT POINT INSTALL

GEN 1 LOAD CELL MOUNTING



MONTAG 1 PRODUCT POINT INSTALL POINT HARNESS CONNECTIONS



1. Connect 4 Pin DT to power in cab(connectors not supplied) and then 4 Pin plug in port as shown.

2. Install 6 Pin DT plug in Point port shown. The other end connects to 7 Way 6 Pin DT J-block found on the dry box. This is located in different places based on the model. The 4 load cells will plug into the remaining 4 open ports.

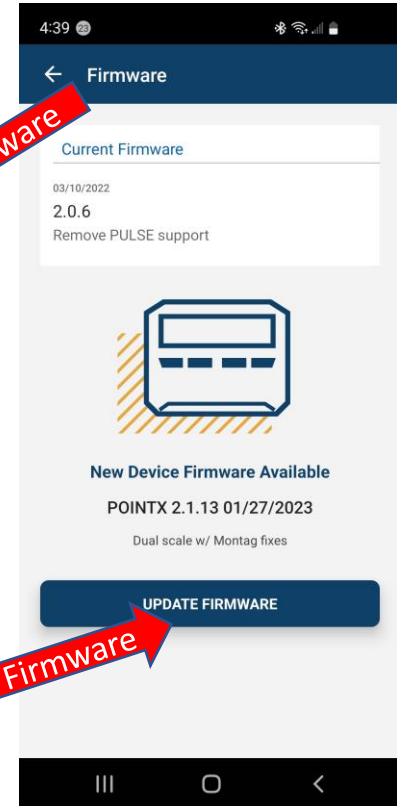
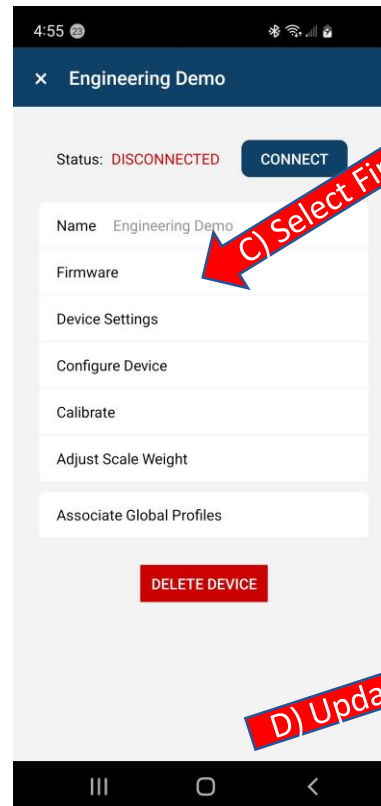
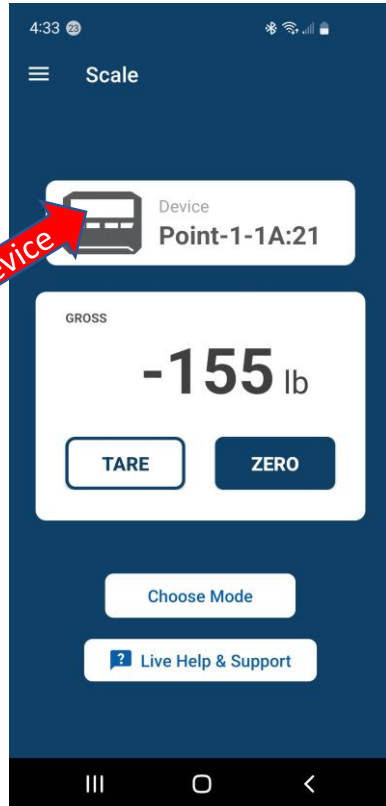
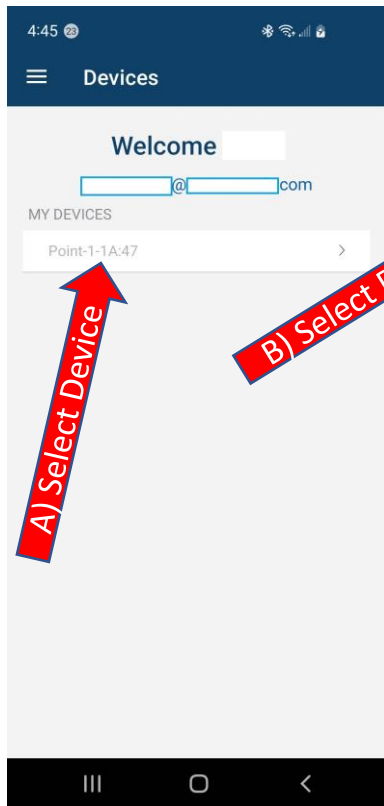
See following page for Point setup and configuration



MONTAG 1 PRODUCT POINT INSTALL

CREATE USER ACCOUNT AND UPDATE POINT TO LATEST VERSION

- 1) Download and open the Scale-Tec "Point" App on mobile device
- 2) Create Point account and log in
- 3) Power on Point Device
- 4) Follow the red arrows below:





MONTAG 1 PRODUCT POINT INSTALL

UPDATE POINT TO LATEST VERSION - CONTINUED

5) Update may take 5 min

6) Close Point App and shut down Point display

7) Start Point Display and Launch Point App system

8) Auto-Calibration may be required on restart

9) Press OK, settings will be downloaded

10) Update complete, you can now use the Point system